



# Components for E-mobility



# STRAIGHT TO THE SOLUTION

From an idea, via development, to production - We will electrify your industry together!

1



[emobility.reo.de](https://emobility.reo.de)

- We offer a unique product portfolio
- globally with our intelligent and smart
- components systems that can be used in
- almost any industry



Are you looking for a suitable  
for electrification of your industry?

Get in touch!

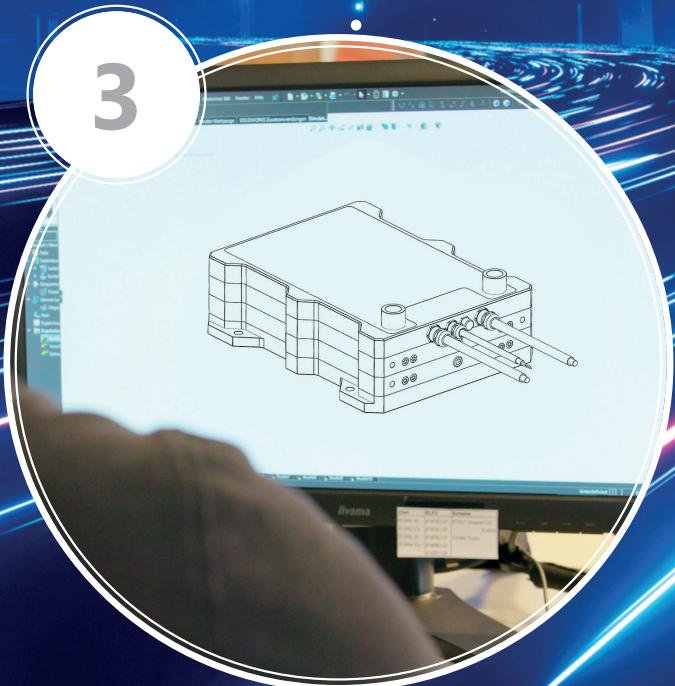
!!

2



We can support you in the development, production, testing and maintenance of electromobility solutions.

3



product industry?



# FOCUSED ON

## REO's heart beats for electricity

**W**e see it as the future of mobility. Whether it is powered by hydrogen, batteries, or other energy supplies, the electric motor represents the concept for the future of mobility. Indeed, wherever electricity is flowing, ensuring safety to the very highest standards is of paramount importance. REO AG's engineers have set themselves the task of developing the best and safest components for the entire electromobility value chain: from the electric motor and the drive train to the testing systems. With high availability worldwide, REO offers, for example,

water-cooled or air-cooled systems and components with full encapsulation or special silicone impregnations. REO now places great emphasis on state-of-the-art materials and sets new market trends with innovative production methods, efficient work procedures, and a focus on continuous development.

Take a look at the future and see which industries REO AG will be electrifying.



Find out more at:

[www.emobility.reo.de](http://www.emobility.reo.de)

# ELECTRICITY



# DEEDS, NOT WORDS

## E-mobility in practice REO components in heavy vehicles

The electrification of mobility continues to advance in all sectors of the economy, with REO components already demonstrating their durability and reliability on a daily basis. These capabilities are of particular importance for heavy vehicles, as the high dynamic forces, adverse environments and intensive continuous operation involved demand excellent quality.

REO has a wide product portfolio with scalable performance available to cater for these specific requirements. One such example are the NTT 9339/375/0.06 sinus filters, which ensure a clean on-board vehicle power supply to electrically operated excavators. Whether there is salty air, fine dust or thick mud, these sinus filters ensure disruption-free and low maintenance operation. The e-motor works more than twice as efficiently as a comparable diesel engine and also has a carbon footprint which is 90% lower.

*"We recognised a change in social awareness, and the resulting potential in the field of electromobility, at an early stage. As a result, the research and development activities we have done in the past are now paying dividends. We offer a unique product portfolio globally with our intelligent and smart testing systems that can be used in almost any area of e-mobility."*

Jasminka Usein.

As part of the electrification process, REO has pooled its strengths to produce inductive, resistive and electronic components, and to consequently develop them further. Whereas many suppliers purchase technologies, REO can fall back on over 100 years of experience. This is a guarantee of our innovative strength, especially when sophisticated testing systems are sought after.



Find out more at:

[www.emobility.reo.de](http://www.emobility.reo.de)

# ORDS!



# START WITH R

From an e-drive to a switchboard -  
The right components for your industry.



**Components for e-drives**



**Components for charging stations**



**E-mobility testing equipment**





# REO!

## **Is your industry or a suitable product not available?**

Not a problem! We've also got the right solution for your application area. Our REO experts think holistically and are delighted to help you turn your ideas into reality.

**Get in touch:** Tel. +49 212 8804-0 • Email: [info@reo.de](mailto:info@reo.de)

# RAILWAY TECH

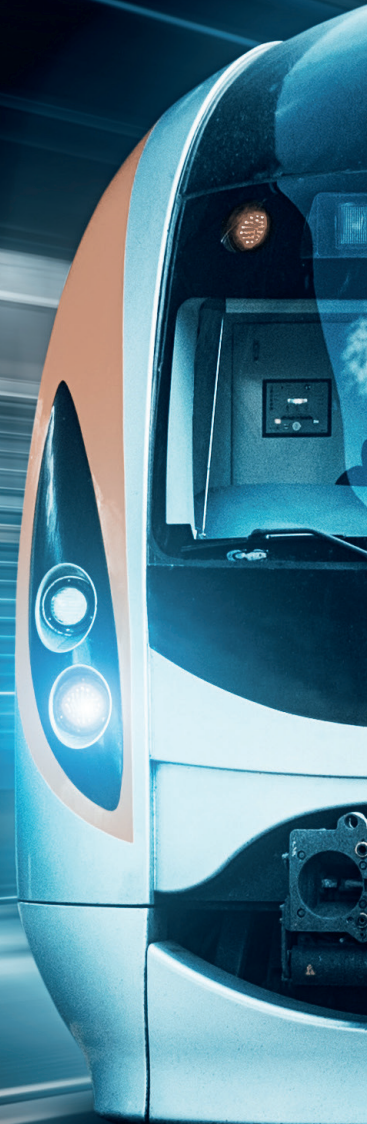
No matter where the journey takes you!

**R**EO components are ideally suited for the special demands of railway technology. All mobility concepts can be handled via scalable and customised services. What is always included: REO has decades of experience in this segment.

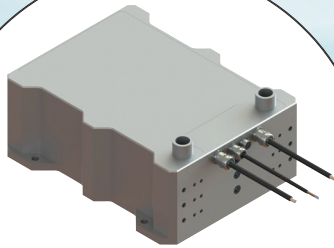
## REO components

- Braking resistors
- Chokes
- Filters
- Air choke
- Transformers

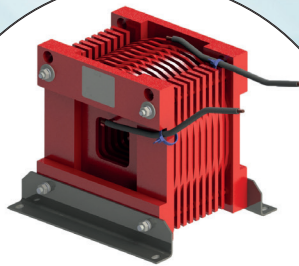
## More information



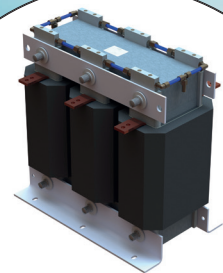
# NOLOGY



Braking resistor  
BWD 330\*



Air choke  
LD 200\*



Line choke  
NTT MD 953\*



\*The products listed here represent only part of the product range.

# URBAN MOBILITY

Small, lightweight, yet still safe!

**V**arious fully or partially electrified urban mobility solutions are competing for market share worldwide. Demands on the performance of REO components are very varied. REO provides manufacturers the confidence that they are always working with the best possible components, whether in small batches or in major ranges. Our promise: high availability, top-quality materials, great durability, worldwide service and a sustainable connection.

## REO components

- Braking resistors
- Transformers

## More information



# ITY



Transformer  
WKO-2-C\*



Braking resistor  
REOHM 155\*



\*The products listed here represent only part of the product range.

# SHIPPING

Transportation of goods is an important economic activity.

**E**lectronic REO products are already found in use worldwide and also every single day under the toughest conditions. Water, salt, and weather conditions take their toll on electric components and jeopardise the whole system. Not a problem with REO! Every REO product must, amongst other things, undergo salt spray tests and water tests. So that components work safely and flawlessly even after years of service: trust REO components.

## REO components

- Braking resistors
- Chokes
- Filters
- Air choke
- Transformers

## More information

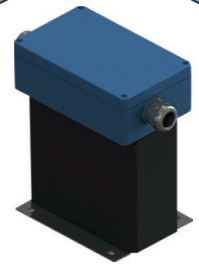




Air choke  
LD 100\*



Motor choke  
CNW M 854\*



Filter  
CNW M 933\*



\*The products listed here represent only part of the product range.

# HEAVY MACHIN

Excellent protection even on tougher tasks!

**F**rom salty air to extremely fine dust to sand or mud from all directions - robust REO components handle these hazards even in extreme temperatures, ensuring trouble-free, low-maintenance operation. High protection classes up to IP66 ensure the ability to withstand environmental influences and protect workers fully if touched when outside.

## REO components

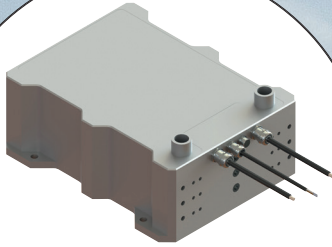
- Braking resistors
- Chokes
- Filters
- Air choke
- Transformers

## More information

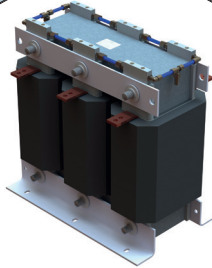




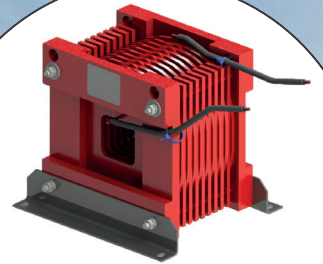
# ENERGY



Braking resistor  
BWD 330\*



Line choke  
NTT MD 953\*



Air choke  
LD 200\*



\*The products listed here represent only part of the product range.

# ROAD TRAFFIC

Always safe when travelling!

**W**hether heavy-goods vehicles, buses, or trams: it can be safely said that with REO you have the right partner, regardless of the transport used! That's because REO components for road traffic are subjected to demanding G-force tests. REO components act in line with standards and ensure that the desired driving properties are provided even during (emergency) braking, shaking, or vibrations.

## REO components

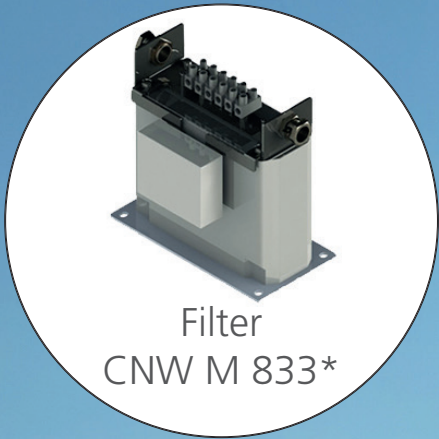
- Braking resistors
- Chokes
- Filters
- Air choke
- Transformers

## More information





Braking resistor  
NTT 158\*



Filter  
CNW M 833\*



Line choke  
CNW 903\*



\*The products listed here represent only part of the product range.

# AGRICULTURE

Durable and reliable even when off-road!

**E**xremely precise manoeuvres in electrified agriculture can be done instantly thanks to REO components. As well as providing effective protection against dust, mud, and dirt, the products also have relatively long maintenance periods or can even be operated without maintenance.

## REO components

- Braking resistors
- Chokes
- Filters
- Air choke
- Transformers

## More information

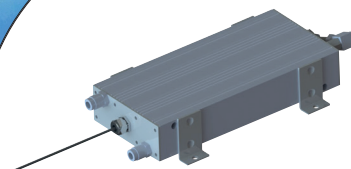




Filter  
CNW M 833\*



Load choke  
RPD 9039\*



Braking resistor  
REOHM 158\*



# CHARGING STA

Pit stop! But how does charging take place?

**R**EO offers a wide range of products for charging solution providers. This means that smaller wall-mounted charging stations can be operated for domestic use as well as a series of wall-mounted boxes in multi-storey car parks or comprehensive charging columns in car parks. All REO components are specially designed to work in charging systems. Handling load surges is just as important as user safety and convenience.

## REO components

- Braking resistors
- Chokes
- Filters
- Air choke
- Transformers

## More information



# TATIONS



# REO TESTING EQUIPMENT

Always the right values!

In order to charge products with active and reactive power, REO offers ohmic, inductive and capacitive loads in line with required application and usage conditions. Both the ohmic and inductive loads, as well as air-cooled and water-cooled versions can be delivered.

## REO components

- Braking resistors
- Chokes
- Filters
- Air choke
- Transformers

## More information





# EQUIPMENT



# EXCEPTIONAL

## Optimal testing processes and technologies

### **Salt spray test**

The durability of REO components are rigorously tested in special salt spray tests to ensure that electronic systems work fully on land, in water, and in the air.

### **Water test**

Observance of the standardised protection classes is a foundation for safe handling of each component. This is why REO offers all components in protection classes from IP00 to IP66 and regularly tests the durability of such components with in-house water tests in accordance with the relevant protection category.

### **G-force test**

REO components for road traffic are subjected to demanding G-force tests. They act in line with standards and ensure that the desired driving properties are provided even during (emergency) braking, shaking, or vibrations.

# QUALITY!

## Simulation

REO products are well-known for their reliability even in the toughest conditions - even if at - 30 °C in the Canadian Rocky Mountains or at 40 °C in the Nevada desert in the USA. In order to save material and shorten development times, we use state-of-the-art computers and software to simulate, for example, temperature changes, heat conduction and thermal radiation.

## Water/air-cooled components

Often, air-cooling of electric components is subject to restrictions, particularly when the component has to be very compact. To ensure the best possible cooling, a wide range of REO inductive and ohmic components are equipped with water cooling. In addition, the performance and lifetime of the component is improved.

## Casting technology

REO offers various options for ideal protection of your product - whether with a topcoat, a special protective coating or a full housing. REO products therefore achieve a high protection class and are particularly resistant to dirt and moisture as well as external environmental effects. REO Xtreme even reaches the requested test voltage when immersed in water.

## More information





**TOGETHER**

Electrify the future



# WITH REO

ure tomorrow!

# PRODUCTS OF T

New paths demand new solutions!

**T**omorrow's products will fundamentally change mobility as we know it. What they all have in common is the fundamental view of resources that will provide people and nature with more space.

## **What does this new world of products look like?**

We do not yet know what the products of the future will look like, but we do have the expertise to develop them with you! There are no limits to the pioneering spirit in the case of new, intelligent applications.

At REO, we support research and development projects with special product adaptations and are open to new ideas. Together with our customers, we either redevelop existing solutions or break new ground. Versatile, trend-setting hi-tech products that shape our lives tomorrow whilst giving our customers that competitive edge: from energy generation to energy usage.



# THE FUTURE

A man with a beard, wearing a light blue button-down shirt and a VR headset, is looking down. He is in a factory or industrial setting, with a large piece of machinery (likely a CNC machine) visible in the background. The machine has a control panel with a screen and various buttons. A digital particle effect, consisting of many small, colorful lines (green, yellow, blue, red) radiating from the bottom left, is overlaid on the scene, suggesting a digital or futuristic theme.

**Do you have a new product idea or would you like to electrify an existing product?**

You will benefit from our around 100 years of experience in the area of inductive, resistive and electronic components and complete solutions. Our REO experts think holistically and are delighted to help you turn your ideas into reality, and therefore the innovations of tomorrow.

**Get in touch:** Tel. +49 212 8804-0 • Email: [info@reo.de](mailto:info@reo.de)



## REO AG

Brühler Strasse 100  
D-42657 Solingen

Tel.: +49 (0)212 8804 0  
Fax: +49 (0)212 8804 188  
Email: info@reo.de

www.emobility.reo.de